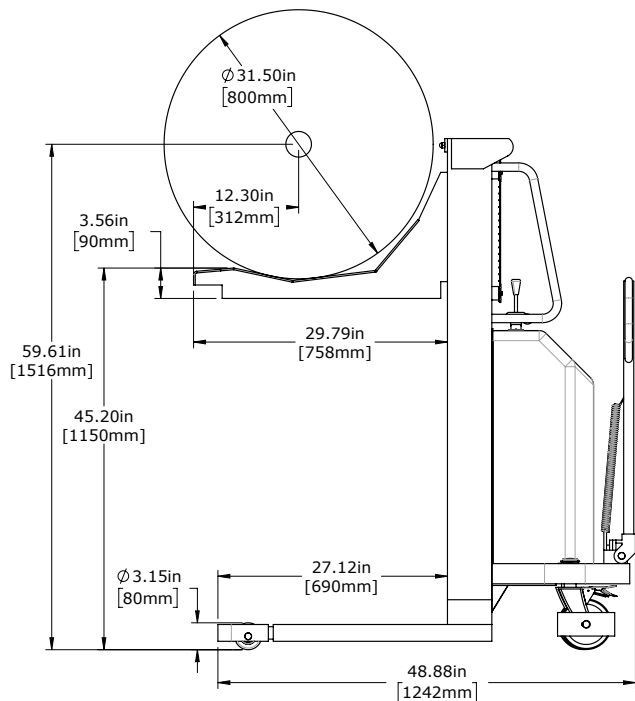
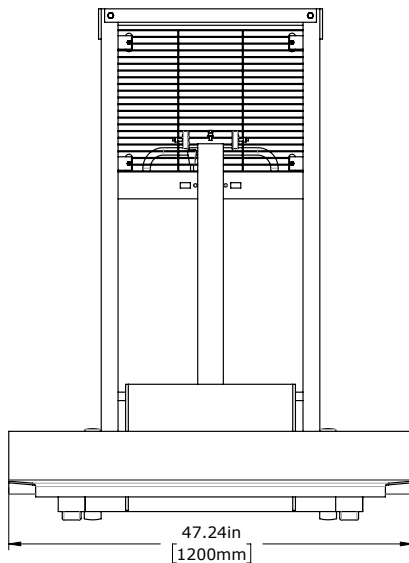
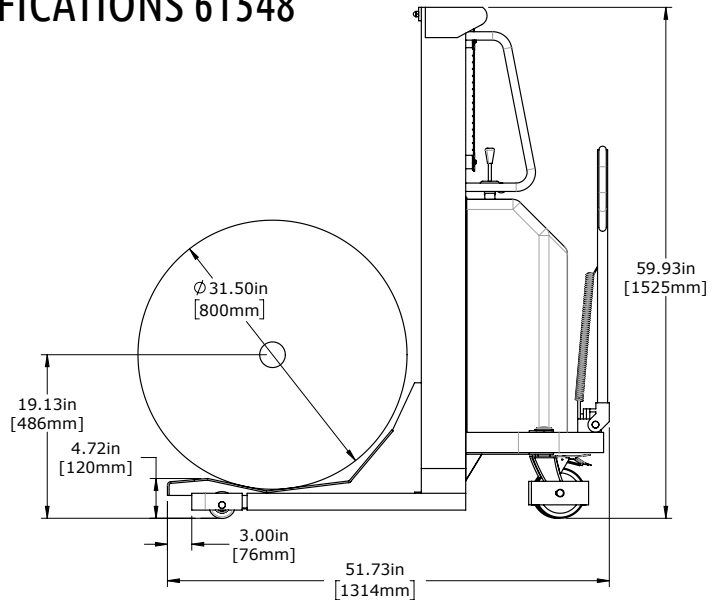
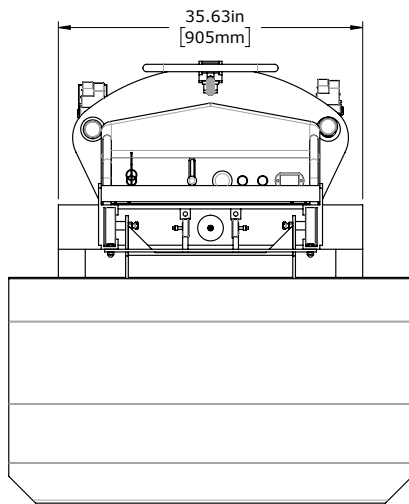




ON-A-ROLL LIFTER® POWER LOW PROFILE GRANDE MAX SPECIFICATIONS 61548



2-YEAR WARRANTY on hydraulics and media tray.
5-YEAR WARRANTY on cross bars.
Power operated lifters carry a one-year warranty under normal use for the battery and electric.

800.523.4855 or 267.413.6220 • fax 267.413.6227

204B Progress Drive, Montgomeryville, PA 18936 USA • information@go-foster.com • www.go-foster.com